

CONVENIENCE STORE & PETROLEUM LIGHTING SOLUTIONS

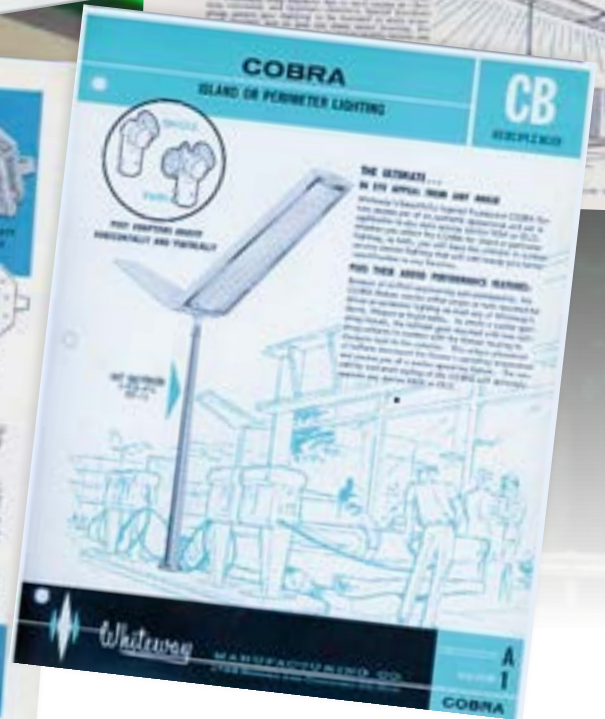
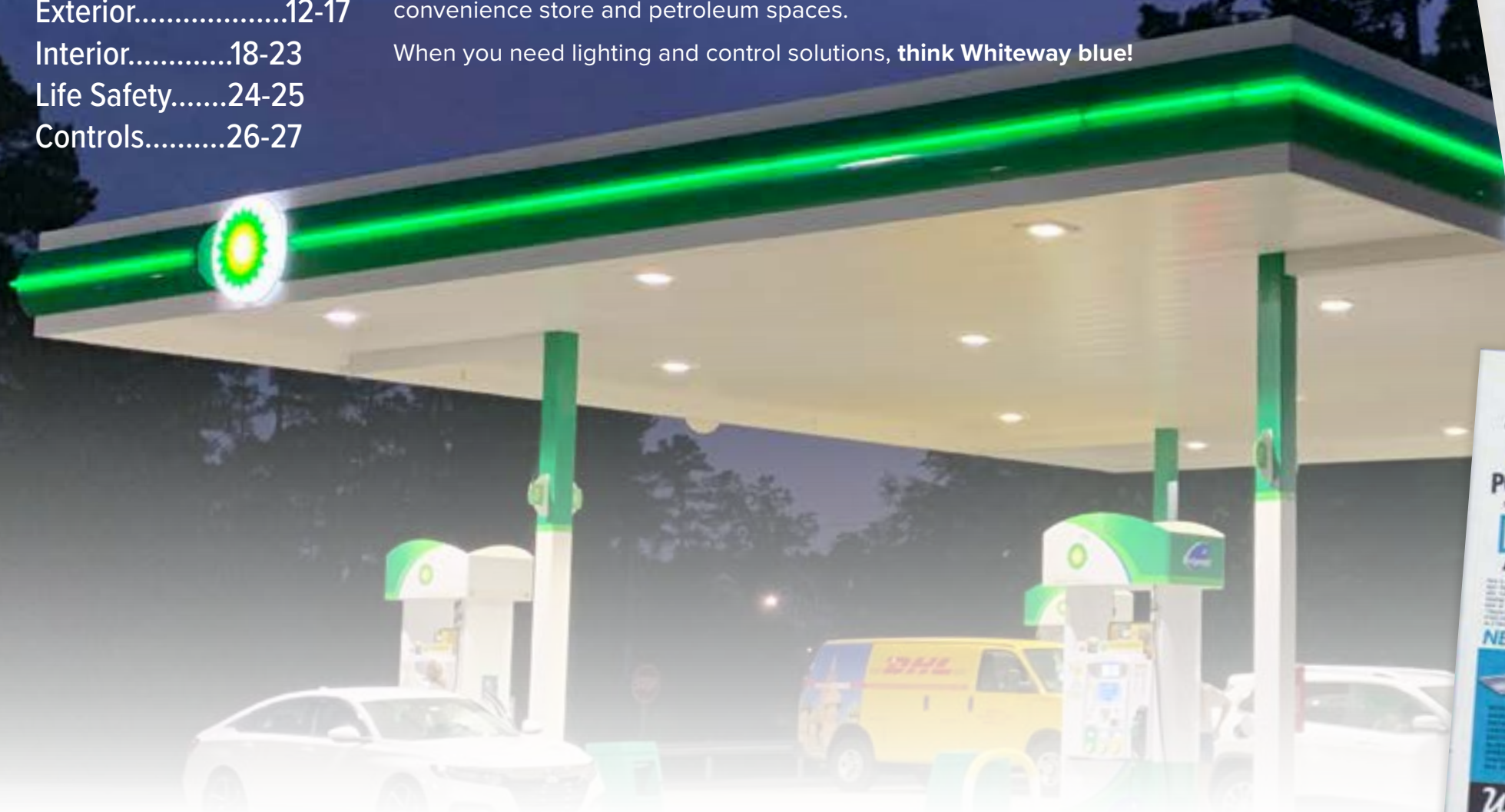
Design • Purchase • Installation Support



TABLE OF CONTENTS

Canopy Solutions....4-10
 Car Wash.....11
 Exterior.....12-17
 Interior.....18-23
 Life Safety.....24-25
 Controls.....26-27

Whiteway is more than lighting fixtures. We provide you support from design, through purchase, delivery and installation. Our experienced team understands the unique challenges of convenience store and petroleum spaces. When you need lighting and control solutions, think Whiteway blue!



DESIGN: From the layout to the installation, Whiteway is your committed partner. Our qualified team provides free lighting layouts or use one of our online layout tools - Quick Calc or LitePro DLX.



PURCHASE: Our team can also conduct a project audit and perform and return on investment (ROI) analysis. Our Cash Flow Positive program can help you get financing It's as easy as filling out a one page credit application.



INSTALLATION SUPPORT: With in stock and quick-ship service programs, luminaires arrive when you need them. Our turn-key installation support teams are available to meet your construction deadlines.

FROM A PETROLEUM NAME YOU CAN TRUST, BACKED BY A TIME-TESTED LIGHTING INDUSTRY LEADER
 Since 1956, Whiteway has been a leader in illuminating the petroleum and convenience store market. Throughout the years, our portfolio of lighting solutions transitioned to the latest in LED and controls technology. LED luminaires offer long life, low maintenance and energy efficient operation Coupled with standard or dynamic controls, today's luminaires deliver more than illumination.

With a strong legacy of delivering lighting solutions for the convenience store and petroleum market, Whiteway brings together a collection of lighting brands to illuminate from the pumps to the cashier. Our innovative award-winning lighting fixtures and control solutions feature color changing options, integrated controls and convenience features like switchable lumen and color temperature (CCT) technology.

A WHITEWAY

Award-winning innovative canopy lighting fixtures offering to illuminate the pump stations.

B

Full portfolio of commercial security lighting solutions or elevate the exterior with architectural lighting fixtures with dynamic color control options.

C

Comprehensive offering of linear and downlighting solutions to accommodate ambient, task and lighting needs within the store's specialty.

D

Keep guests safe in case of emergency with our full line of architectural and commercial Life Safety solutions.

E

Durable fixtures to withstand the demands of a car wash.

FEATURED OPTIONS

One of Whiteway's strength is the breadth of solutions from complementary brands. This allows you to complete the job with Whiteway and increase the value of your lighting system with additional functionality. Today's lighting systems offer more than long-lasting illumination. For features like onboard camera and disinfection for peace of mind for the owner and guests as well as enterprise control systems look for the logo.

NX Distributed Intelligence™ platform delivers a seamless lighting control solution for exterior and interior applications.

For more information see page 26

wiSCAPE® Wireless Outdoor Lighting Control System offers a suite of software to manage, monitor, and meter your wireless outdoor lighting network.

For more information see page 26

SiteSync Lighting Control is a wireless solution to deliver flexible control strategies for reducing power consumption and minimizing maintenance costs.

For more information see page XX

Enhance your space with RGBW color control enabled lighting fixtures controlled by a simple Bluetooth® app or more complex DMX systems

Switchable fixtures offer field adjustability of lumen output, color temperature or both—lumen and CCT

SpectraClean™ 405 combines white and narrowband 405 nanometer visible light to effectively suppress bacteria, molds, fungi and yeast.

For more information see page 18

SpectraSAFE™ Integrated Surveillance is a scalable, cloud-enabled and lighting-based wireless video security solution for interior commercial applications.

For more information see page 18

Control your space based on the needs of the application, specific activities throughout the day and guest preferences with SpectraSync™ Color Tuning Technology. For more information see page XX





Edge-Lit Petroleum Gas Canopy

- Edge-Lit technology for even illumination
- Low profile 2.5" depth design virtually disappears into the canopy
- IP66 rating to keep water and insects out
- Universal retrofit solution for recessed, pendant or surface mounted with 3/4" conduit
- Cast Aluminum with integral heat sink to maintain optimal thermal performance for long LED life
- DLC® (DesignLights Consortium Qualified), with some Premium Qualified configurations. Please refer to the DLC website for specific product qualifications at www.designlights.org

SAFETY AND SECURITY

Quality lighting provides a sense of security for your customers, resulting in an increase in traffic at your business. Good lighting is a significant deterrent against vandalism and other crimes that transpire where lighting is dim or insufficient during the evening and night hours.

EDGE-LIT TECHNOLOGY

Edge-Lit technology delivers the most efficient LED-based edge lighting to date. The components combine laser-cut optics and high brightness LEDs in a thin construction. This provides exceptional output while spreading light uniformly, reducing the number of LEDs required while precisely extracting light for optimal performance.

Laser cut light guides enable outstanding back light performance, and can reduce the high cost, thickness, and power consumption associated with traditional direct back lighting methods that use an LED array under the display.

ORDERING GUIDE

Example: VSH-85-5K7-UNV-WHG

CATALOG #

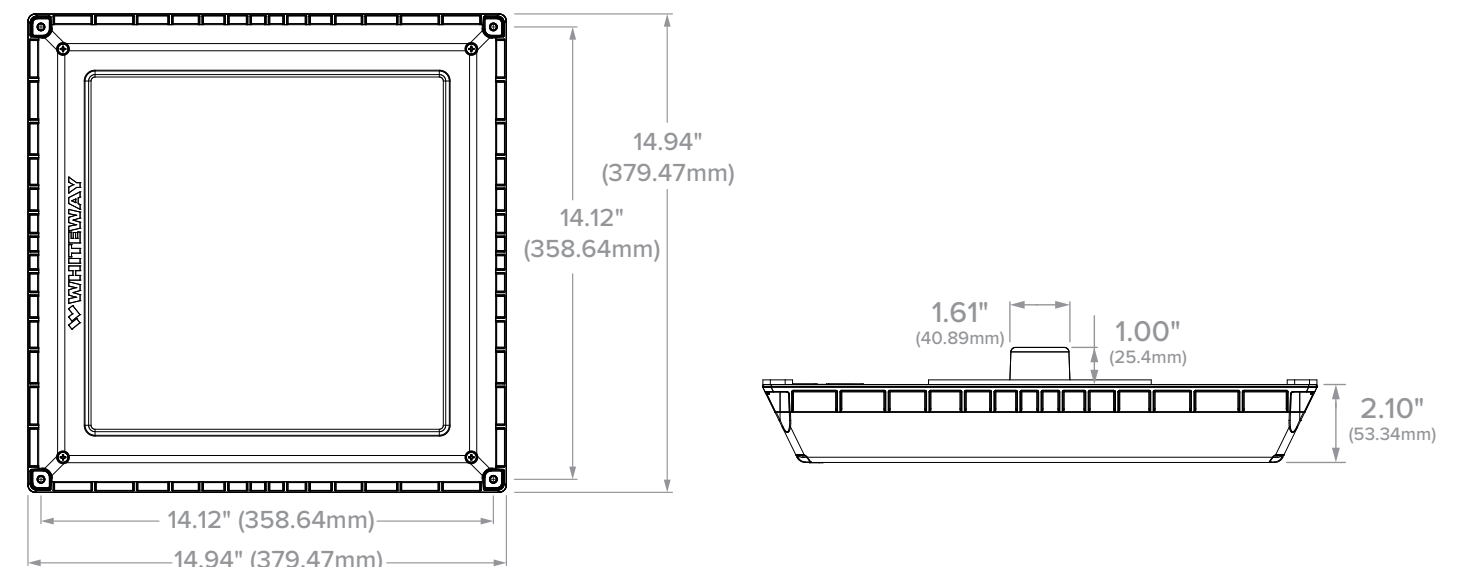
VSH					
Series	Size	Color Temp	Voltage	Options	
VSH Vanish	30	4K7	UNV Universal	WHG	Petroleum White
	55	5K7	347 347V	DBS	Petroleum Dark Bronze
	85		480 480V	DBT	Dark Bronze Matte Textured
	140				



STOCK ORDERING

Catalog Number	Stock Number	Wattage	Distribution	CCT/CRI	Finish
VSH-85-5K7	9313024	85W	UNV	5000K/70CRI	Petroleum White
VSH-140-5K7	93139554	140W	UNV	5000K/70CRI	Petroleum White

KEY DATA	
Lumen Range	4500-20,000
Wattage Range	30-140 Watt
Efficacy Range (LPW)	138-157
Reported Life (Hours)	60,000
Weight	11 lbs.



GALASY II



Surface Mount Petroleum Gas Canopy

- Value focused, budget-friendly canopy lighting solution
- Pendant or surface mount options with 3/4" conduit
- IP66 rating to keep water and insects out
- Low glare, even illumination and no pixelation for outstanding illumination
- High efficacy of over 150 LPW for maximum energy savings
- Universal retrofit solution for HID replacements for various sizes
- Driver accessible and field serviceable under canopy
- DLC® (DesignLights Consortium Qualified), with some Premium Qualified configurations. Please refer to the DLC website for specific product qualifications at www.designlights.org

EASY SERVICEABILITY

The Galasy II is designed for easy installation and maintenance. The driver compartment can be accessed from below, thereby simplifying replacement if needed. There is a hanging bracket/hinge to retain the bottom of the fixture but allows it to swing out of the way for access.

Featuring 3/4" conduit connection for wiring and/or pendant mounting. The fixture is mounted to the ceiling panel with 4 screws. It has external dimming leads, so there is no need to open the fixture for connection. The mounting hole pattern is symmetrical & square, so the fixture can be rotated for whatever reason after the holes are created in the ceiling.

The serviceable components (driver, surge) are all accessible without removing the fixture. The lower half of the fixture can be replaced completely for a future upgrade. The only connections would be the driver output to the LEDs and a ground strap.



LOW ENERGY COSTS, LOW MAINTENANCE

Whiteway LED Lighting provides a significant cost savings over traditional HID Lighting. With power savings up to 79% and virtually no maintenance cost your savings can be spent on other facets of your business. Our 5 Year limited warranty will provide you with peace of mind, knowing that Whiteway products have been around for decades and are built to last.

ORDERING GUIDE

Example: GSY-100-4K7

CATALOG #

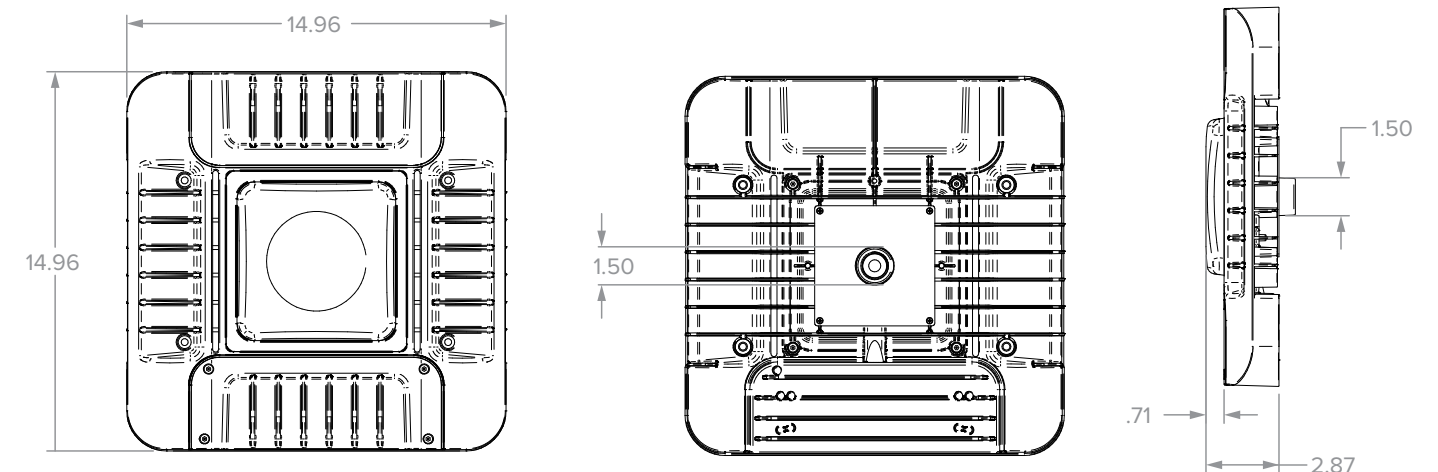
GSY Series	Wattage	Color Temp
GSY Galasy II	30 30W	4K7 4000K, 70 CRI
	65 65W	5K7 5000K, 70 CRI
	100 100W	
	130 130W	



STOCK ORDERING

Catalog Name	Color Temperature	CRI	Delivered Lumens	Lm/W	Distribution Type
GSY-30-4K7	4000K	70	4757	157	Type V
GSY-30-5K7	5000K	70	4825	157	Type V
GSY-65-4K7	4000K	70	9768	149	Type V
GSY-65-5K7	5000K	70	9877	151	Type V
GSY-100-4K7	4000K	70	15395	153	Type V
GSY-100-5K7	5000K	70	15566	155	Type V
GSY-130-4K7	4000K	70	19662	154	Type V
GSY-130-5K7	5000K	70	19880	155	Type V

KEY DATA	
Lumen Range	4700-20,000
Wattage Range	30 - 130 Watts
Efficacy Range (LPW)	149-157
Reported Life (Hours)	60,000
Weight	10 lbs.



WHETHER FOR NEW CONSTRUCTION OR RETROFIT, WHITEWAY'S CANOPY FIXTURES ARE THE PERFECT SOLUTION FOR ALL APPLICATIONS.

Retrofitting your current fixtures has never been easier. Whiteway offers a complete one-for-one LED solution for every application in a convenience store achieving an updated and aesthetically pleasing appearance for customers and store owners. By utilizing highly efficient LED fixtures, you will see immediate energy savings when replacing HID fixtures.



93133177

Pendant Mount Kit



93133148

Retrofit Cover plate for LSI Encore
15" square-replacement for 10" opening



93133149

Decorative Beauty plate for
Canopy Retrofits



93133151

Universal HID retrofit kit
Fits square surface mounted retrofit kit for:
any square HID housing between 21" & 23" square



In addition to lighting your canopy and your gas pumps, Whiteway offers a great selection of outdoor and indoor fixtures for car washes. This will extend the savings to other facets of your business while providing quality illumination to your customers.

GASKETED LINEAR



CVT

Linear Vaportite

- Switchable Lumen technology: 7000/5800/4500 lumens (4000K only)
- IP65 and IP66 rated
- Durable polycarbonate housing and ribbed frosted polycarbonate lens design for optimal illumination and high impact durability



LXEM

Medium Enclosed & Gasketed Luminaire

- 2', 4' and 8' luminaires are IP65, IP67 and IP66 rated with standard polyacetal (POM) latches
- NEMA 4X housing and when ordered with polycarbonate housing is IK10 rated
- Latches are provided tamper resistance ready, tamper resistant screws by others



LXEW

Wide Enclosed & Gasketed Vaportite

- IP65, IP66 and IP67 rated 4' luminaire with 1500 PSI High Pressure Hose down rating
- IK10 rated when ordered with polycarbonate lens
- Housing has chemical resistant finish



Exterior Lighting provides comprehensive and coordinated solutions for a variety of exterior applications. A full line of architectural and commercial light fixtures are available with complementing shapes and styles that is proportionally scale and add balance to the outdoor environment. Quality construction and industry leading performance complete the package. Control options featuring photocontrols, occupancy controls, SiteSync™ and NX Distributed Intelligence™ enable optimum energy savings and customization.

AREA/SITE



KICK™ Medium

- Ultimate embodiment of sophistication in contemporary outdoor illumination
- First angled housing capable of IES distributions with no up-light for fully shielded glare free illumination
- Configurable as a pole mount, integral pole mount with 1-4 fixtures as well as staggered twins



RATIO High Performance Area Site Light

- Featuring Micro Strike Optics which maximizes target zone illumination with minimal losses at the house-side, reducing light trespass issues
- Scalable housing sizes ranging from 3,000 lumens to 60,000 lumens.
- Matching rectilinear form to Ratio Flood and Ratio Wall products



FLOODLIGHTS



INTENT Linear Floodlight

- Applications such as sign lighting, wall washing, wall grazing and building accent lighting
- Linear run capabilities for even, uniform light distribution with no scalloping effect
- Lumen range from 2,803 to 15,162 lm, UL/cUL listed for wet locations, IP66 and 3G vibration rated



RATIO Low Profile Floodlight Family

- Robust design with no aiming limitations and multiple mounting options
- Scalable housing sizes ranging from 3,000 lumens to 60,000 lumens
- Features a dense optical array which provides reduced pixelation and increased visual comfort without compromising performance



SURFACE



PURSUIT™ Pursuit Linear

- 6 mounting options: fixed arm, adjustable arm, surface, pendant, wall, mullion. and 3 recessed mounting options: flanged, flangeless and spackle
- IP66 Rated for demanding environments including protection from dust, oil, noncorrosive material and water intrusion
- Four distributions and four lumen outputs up to 1,500 lm/ft enable high performance and design freedom



PLG8 Parking Garage Fixture

- Exceptional uniformity and visual comfort with four standard distribution patterns
- Patent pending edge-lit, drop lens optic
- Multiple control options available for an intelligent parking garage lighting solution

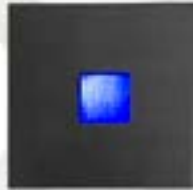


SCONCE

CYPHER

Scnce

- Infinitely configurable and establishes a new standard for wall sconce aesthetics and performance
- Fascia panels are available in stainless steel, copper, or custom materials, and dozens of paint finishes to match any architectural style.
- Using RGBW Remote App, the luminous front can match a custom color, making it easy to change color as the mood dictates or adhere to strict brand standards



PRL - PRELUDE

Wattage Switchable Wallpacks

- Stylish luminaire with contemporary form provides an updated appearance compared to traditional HID wall packs
- Full cut off and Refractor configurations provide two styles and distributions
- Field switchable wattages from 18 to 60 Watts

wiSCAPE™ NX DISTRIBUTED™ INTELLIGENCE



WALL PACK

RATIO

Contemporary Wallpacks

- This versatile luminaire blends sleek lines and low glare optics with superior performance and a plethora of controls and emergency options
- Featuring Micro Strike Optics which maximizes target zone illumination with minimal losses at the house-side, reducing light trespass issues
- Additional mounting accessories increase the flexibility of this product and add the ability to bring conduit directly into the housing



wiSCAPE™ NX DISTRIBUTED™ INTELLIGENCE



SLING WALL PACK

Compact Wallpacks

- Slender wallpack/floodlight available in two sizes for a variety of applications
- Comfort lens available as an option or accessory provides glare control and enhanced uniformity
- Four ½" threaded conduit hubs for surface conduit

LNC2

Compact Wallpacks

- Energy-efficient LED systems ranging from 13-43 watts with up to 85% energy savings over traditional sources
- Type II, III and IV distributions available
- Battery backup option for egress applications provides 1 fc average over path of egress at typical mounting heights



WGH

CCT and Wattage Switchable Wallpacks

- Available in 3 sizes - WGH1 20-50 Watts, WGH2 30-70 Watts, WGH3 80-120 Watts
- WGH1 is lumen switchable, WGH2 & WGH3 are lumen and CCT High efficacies up to 152 lumens per watt



BOLLARDS



PAVILION

Bollard

- Optional features include integral NEMA 3R enclosure, 2-Gang recessed box, and Bluetooth® RGBW accent
- Highly configurable with 168 different combinations of the optic, top cap, grills and louvers
- Pavilion delivers IES distribution types with no glare at normal viewing angles. The No Up-light, Clear Horizontal Lens and Clear Vertical Lens configurations are optimized for LED technology



IMPACT PAVILION

Impact Bollard

- Designed to protect pedestrians and property from the impact of errant or passing vehicles and are ASTM F3016 S20 rated (American Society for Testing and Materials)
- Optional features include integral NEMA 3R enclosure, 2-Gang recessed box, and Bluetooth RGBW accent are just a few of the industry first features of Pavilion
- 44" OAH S20 Impact Rated Illuminated and Non-Illuminated Bollards



KICK™

Bollard

- Brings best in class performance and technology with optics capable of IES distributions or comfortable pixel free illumination
- Type II, III, IV and V IES distributions or diffused symmetric output
- Field rotatable optics and housing, customizable side panels





Welcome your guests into a well-lit interior. Our portfolio offers linear, high and low bays as well as downlighting to provide ambient and task illumination. Light fixtures are available in various lumen packages to account for different ceiling heights and color temperatures to realistically represent items for sale. Individual and networked control, security and disinfection options are available on interior light fixtures. Look for the logo.



INTEGRATED SURVEILLANCE CAMERA

- Scalable, cloud-enabled and lighting-based wireless video security
- Seamlessly integrated camera; high-resolution full HD, IR emitter, microphone and speaker



One App.
Multiple Applications



CONTINUOUSLY DISINFECT

SpectraClean™ 405 combines white and narrowband 405 nanometer visible light to effectively suppress bacteria, molds, fungi and yeast. Columbia Lighting's SpectraClean™ 405 light fixtures provide continuous light disinfection for occupied and unoccupied spaces in commercial applications. When coupled with NX Distributed Intelligence occupancy sensors and room controllers, SpectraClean™ 405 light fixtures can be controlled based on usage or with pre-programmed schedules.



COLOR TUNING TECHNOLOGY

Control your space based on the needs of the application, specific activities throughout the day and preferences of the occupants with three distinct SpectraSync™ Color Tuning Technologies – Dim-to-Warm, Tunable White or Scheduled White. SpectraSync™ technology operates on standard 0-10V dimming protocols with presets and scheduling for simplified configuration and commissioning.

LINEAR | RECESSED

LCAT

Contemporary Architectural Troffer

- High performance reflector with matte white paint standard. 60,000 hour LEDs at L80 (up to 150,000 projected life) for reduced maintenance.
- Four LED color choices. Multiple lumen packages. Multiple driver options to satisfy different applications



LJT

Full Distribution Troffer

- Direct replacement for fluorescent 1x4, 2x2, or 2x4
- UL Sanitation certified per NSF standards
- Four LED color choices with 83+ CRI



CFP

Edge-Lit Flat Panel

- Switchable Lumen technology: 5500/4100/3400 lumens (1x4, 2x4) 4000/3300/2800 lumens (2x2)
- Switchable CCT technology: 3500/4000/5000K 80 CRI
- 0-10V dimming to 10%. Recessed, surface or cable mount
- IC rated (insulation contact rated). Suitable for ISO Class 5-9 positive pressure cleanrooms



CBT

Back-lit Troffer

- Switchable Lumen technology: 4400/3300/2750 lumens (1x4 and 2x2) 5500/4400/3300 lumens (2x4)
- Switchable CCT technology: 3500/4000/5000K (2x4)
- Acrylic micro-optics over each LED provide edge-to-edge illumination



LINEAR | RECESSED (CONT'D)

SCCT

SpectraClean™ Commercial Troffer

- Option 1: Blended — SpectraClean enhanced white light for ambient lighting with continuous disinfection
- Option 2: Blended Plus — SpectraClean enhanced white light with a high intensity, Dedicated SpectraClean mode for scheduled maximum disinfection
- Option 3: Independent — Alternates between pure white light and Dedicated SpectraClean mode for scheduled maximum disinfection



SCLT

SpectraClean™ Lensed Troffer

- Option 1: Blended — SpectraClean enhanced white light for ambient lighting with continuous disinfection
- Option 2: Blended Plus — SpectraClean enhanced white light with a high intensity, Dedicated SpectraClean mode for scheduled maximum disinfection
- Option 3: Independent — Alternates between pure white light and Dedicated SpectraClean mode for scheduled maximum disinfection



SLK

Troffer Retrofit Kit

- SpectraSync™ Color Tuning Technology available
- NX Distributed Intelligence™ wired controls capability available
- Integral battery pack optional on most models



WRAPAROUND

CNW

Narrow Wrap

- For use in a wide range of surface mount and wall applications
- Switchable Lumen Technology: 3000/3500/4000 lumens, switchable CCT Technology: 3500/4000/5000K
- Up to 123 lumens per watt, 0-10V dimming to 10%



STRIPLIGHTS

MPS

MultiPurpose Linear

- Surface mount, wall mount or suspended
- Optional SpectraSync™ offers three modes of tunable white solutions and integrates seamlessly into a variety of control systems
- SpectraSAFE™ option is a scalable, cloud-enabled and lighting-based wireless video security solution for interior commercial and industrial applications



CSL

Striplight

- Surface mount on wall or ceiling
- Switchable Lumen technology: 4000/4800/5400 lumens
- Switchable CCT technology: 3500/4000/5000K



WRAPAROUND

CRW

Round Wrap

- Switchable Lumen technology: 3900/4800/5500 lumens, switchable CCT technology: 3500/4000/5000K
- Up to 153 lumens per watt. 0-10V dimming to 10%
- For use in a wide range of surface mount and wall applications



HIGH & LOW BAY

SAVVANO™

Decorative High Bay

- Three reflectors, available in 16" and 22"
- Four bottom lenses, available in 16" and 22"
- Up to 123 Lumens per Watt five lumen levels from a low of 8,000 lumens to a max of 28,000 lumens



HIGH & LOW BAY (CONT'D)



UTB2

Utilibay™ High Bay

- NX Distributed Intelligence™ wired and wireless control capability available
- CSA certified to UL1598 for Damp Location and UL924
- Available in lumen outputs ranging from 12,000 to 30,000 lumens



CRN2

Wet Location High Bay

- Suitable for a variety of areas including warehouses, gyms, covered outdoor areas, garden centers, and mezzanines
- Wet location, IP66, and IK10 ratings make the CRN2 an ideal choice for both general and demanding spaces
- Thermally separated electronic and LED heat sink design enables long, trouble free operation



CRB

Compact Wet Location High Bay

- IP66 rated (IP66 enclosure is waterproof against hose-directed water, rain or snow, it's not intended to be submerged in water.)
- IK07 rated (Protected against 2 joules of impact (the equivalent to the impact of a 0.5kg mass dropped from 400mm above the impacted surface))

DOWNLIGHTING



LITEISTRY™

Architectural Downlighting and Cylinders

- Consistent quiet aperture appearance across aperture sizes, lumen outputs and distributions
- Consistent beam distributions that deliver smooth, well-defined beam patterns
- The largest offering of reflector finishes and colors to further aid in blending the solution with the application



DOWNLIGHTING (CONT'D)



LITEFRAME 2.0™

Commercial Downlighting

- Breadth of solutions ranging including downlights, shallow downlights, wall wash and adjustables in 4" and 6" apertures
- A wide range of lumen outputs and beam distributions with leading optical efficacy
- Varied controls and installation options



LITEBOX EDGE-LIT

Round and Square Surface Mount Edge-Lit Downlights

- 4", 6", and 8" round and square surface mounted Edge-Lit Downlights
- Switchable CCT with 90 CRI
- All fixtures have 0-10V dim-to-off and Triac/ELV dimming to 5%



LITEBOX DISK

Round Surface Mount Disk Downlights

- 4" and 6" round surface mount disk downlight
- Switchable CCT with 90 CRI
- Triac/ELV dimming to 10%



LITEBOX A-SERIES

Round Retrofit Downlight Trims

- 4" and 6" round surface mount disk downlight
- Switchable CCT with 90 CRI
- Triac/ELV dimming to 10%





Whiteway features full line of life safety products from exit signs, emergency lights, emergency battery back ups and inverters. For your most common life safety needs, here are our popular exit signs and emergency lights with long life batteries and energy efficient LED.

COMBINATION EXIT/EMERGENCY LIGHTS



EVC

Combination Exit/Emergency Light

- Fully adjustable, dual-racheting high output LED lamp-heads
- High impact, flame rated and UV stable white thermoplastic housing
- Optional Self-Test/Self-Diagnostics and remote capable models

EMERGENCY LIGHTING



EV4D-02WAL

Compact Architectural Emergency Light

- High power LED's offer 50' spacing with special wide area lens
- Adjustable lamp-heads to optimize light pattern
- White or black, Damp listed, optional self-test

EXIT SIGNS



CEW

Wet Location Exit

- UL924 Listed for Wet Location, CEC-T20 Compliant, NFPA 101, 70 and OSHA
- Emergency models include long-life 4.8VDC Nickel Cadmium battery
- Housing and face-plate made from impact resistant UV stabilized polycarbonate that is corrosion resistant and fully gasketed



CS SERIES

Exit With Dynamic Accessibility Sign

- Aluminum Exit sign with Dynamic Symbol of Accessibility models to meet State of Connecticut Building Code
- Includes long-life Nickel Metal Hydride battery
- Damp Location Listed 10°C to 40°C(50°F to 104°F)

LIFE SAFETY SYSTEM



ELSS

Life Safety System

- Multiple capacity central battery units with specifically designed exits and emergency lighting fixtures
- Centralized battery greatly simplifies and reduces maintenance and battery replacement costs
- Specifically designed indoor, outdoor and industrial emergency remotes and normally on and emergency powered exits





NX DISTRIBUTED INTELLIGENCE



NX DISTRIBUTED INTELLIGENCE

Intelligent Lighting Controls

NX Distributed Intelligence™ platform delivers a seamless lighting control solution for exterior and interior applications. NX is capable of scaling from standalone fixture and room control applications to networked facility deployments. NX operates using wired, wireless and hybrid connectivity with native BACnet™ support.

- Scalable lighting control platform for both indoor and outdoor applications
- NX Provides both wired and wireless solutions for in-fixture and room based control needs
- Easy to use programming through controlHUBB mobile app allow users to set schedules, presets and device settings

LIGHTING CONTROL PANELS



CX & NX PANELS

Standalone and Networked Lighting Control Panel Solutions

- The CX and NX Panels offer scalable and tailored solutions for petroleum applications
- The CX Family of Panels offers intuitive standalone lighting control solutions focused on value and energy savings
- The NXP2 Series of intelligent panels offer scalable networked lighting controls that interact seamlessly with networked NX room and in-fixture controls

STANDALONE SENSORS



STANDALONE SENSORS

Occupancy/Vacancy Sensors

- Broadest range of occupancy and vacancy sensors on the market that meet the latest codes and standards, including ASHRAE/IESNA 90.1 and CEC's Title 24
- Bluetooth® series of sensors offer simple ladder-less programming using the controlHUBB app
- Utilizing the embedded IntelliDAPT® technology, sensors analyze the controlled area to make automatic adjustments in both sensitivity and timing settings for optimal performance, energy savings and maintenance-free operations

CONTROL SYSTEMS



SiteSync Lighting Control delivers flexible control strategies for reducing power consumption and minimizing maintenance costs while delivering the right light levels with a simple and affordable wireless solution. Whiteway provides portfolio of SiteSync-enabled outdoor luminaires to address all your project requirements



Using the Manage, Monitor and Measure concepts, the wiSCAPE® wireless outdoor lighting control system builds on the energy and maintenance savings of an LED lighting installation by reducing money wasted on "lights out" calls, maintenance crew sweeps, as well as control strategies that exceed today's code requirements

HUBBELL® Lighting

ARCHITECTURAL AREA LIGHTING

BEACON PRODUCTS

COLUMBIA LIGHTING

COMPASS

DUAL-LITE

HUBBELL CONTROL SOLUTIONS

HUBBELL OUTDOOR LIGHTING

KIM LIGHTING

KURT VERSEN

LITECONTROL

PRESCOLITE

WHITEWAY

The Bluetooth® word mark and logos are registered trademarks owned by Bluetooth SIG, Inc. and any use of such marks is under license. Other trademarks and trade names are those of their respective owners.

CONTACT US TODAY!
customerservice@whiteway-ltg.com

 **WHITEWAY**

Hubbell Lighting, Inc, 701 Millennium Blvd, Greenville, SC 29607-5251
Tel: 1-800-LIGHT IT, 1-800-544-4848, Fax: 847-279-0642
www.whiteway-ltg.com

WW_CSTORE_B March 2, 2022 10:22 AM

Copyright © 2022 Whiteway, a division of Hubbell Lighting, Inc. All rights reserved. Please refer to online specifications for most up-to-date content as specifications are subject to change without notice.